

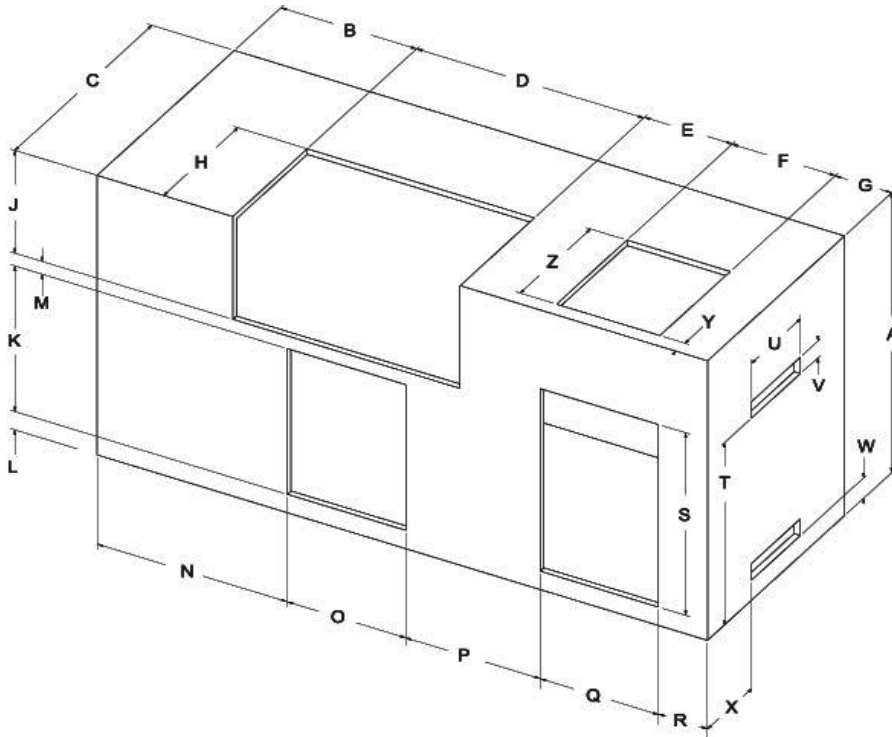


Grill Island Accessory Dimensions

		Opening Required (in.)			Stainless Frame Dimension (in.)		
		Height	Width	Depth	Height	Width	Depth
BHAX2	Built-In Surround for P3X/H3X/Q3X	14	27	13 1/4	14 7/8	28 15/16	14 1/16
BHAC	Built-In Kit for C3	14	27	13 1/4	14 7/8	28 15/16	14 1/16
BHA	Built-In Surround for R3/R3B	14	26 13/16	15 3/8	14 3/8	28 15/16	16
BDA	Door Kit (single door)	19 13/16	14		21 9/16	16 9/16	
BDA	Two Door Kits Mounted Together (as shown)	19 13/16	27 1/2		21 9/16	30 3/16	
BBA	Tilt-Out LP Tank Door	24 13/16	13 15/16		26 9/16	16 5/8	
BRB	Register	2 1/4	10		3	11 9/16	
DPA 152	Built-In Sleeve for DPA 150, DPA 151(N/P)		12 3/4	15 1/4	3/4	14 3/4	16 1/2

Grill Island Dimensions

See Owner's Manuals for material requirements and specifications



	BHAX2 & BHAC	BHA
A	38	38
B	16	16
C	28	28
D	27	26 13/16
E	10 1/2	10 1/2
F	12 3/4	12 3/4
G	6	6
H	13 1/4	15 3/8
J	14	14
K	19 7/8	19 13/16
L	2 5/8	2 1/2
M	1 3/4	1 11/16
N	22 3/8 Single 15 5/8 Double	22 3/8 Single 15 5/8 Double

	BHAX2, BHAC, & BHA
O	14 Single 27 1/2 Double
P	15 7/8 Single 9 1/8 Double
Q	13 15/16
R	5
S	24 13/16
T	24 3/4
U	10
V	2 1/4
W	2 3/4
X	9
Y	3/4
Z	15 1/4